

1

2

3

4

A

A

B

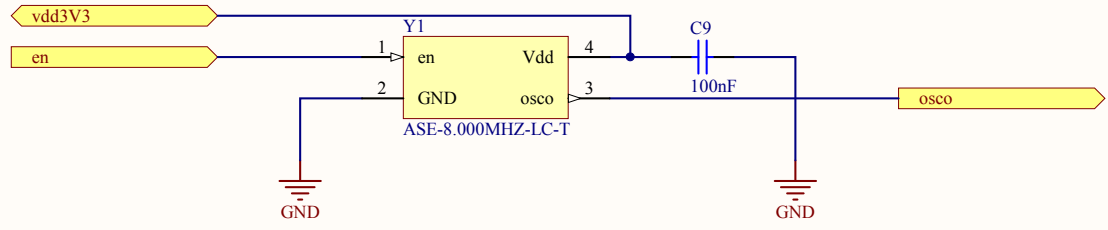
B

C

C

D

D



1

2

3

4

1

2

3

4

A

A

B

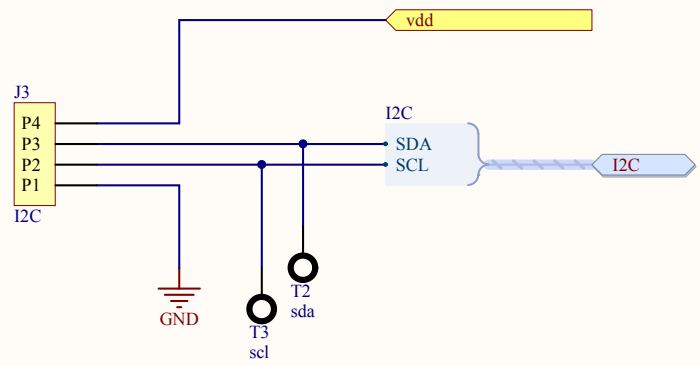
B

C

C

D

D



1

2

3

4

1

2

3

4

A

A

B

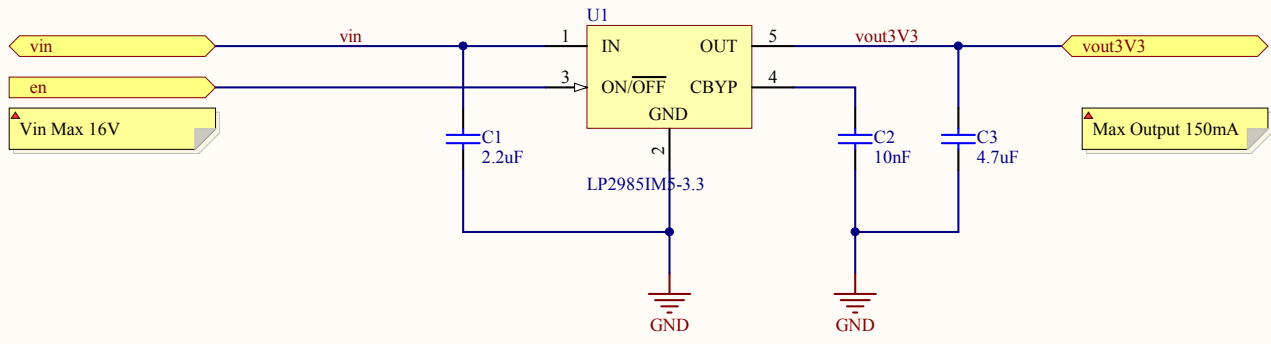
B

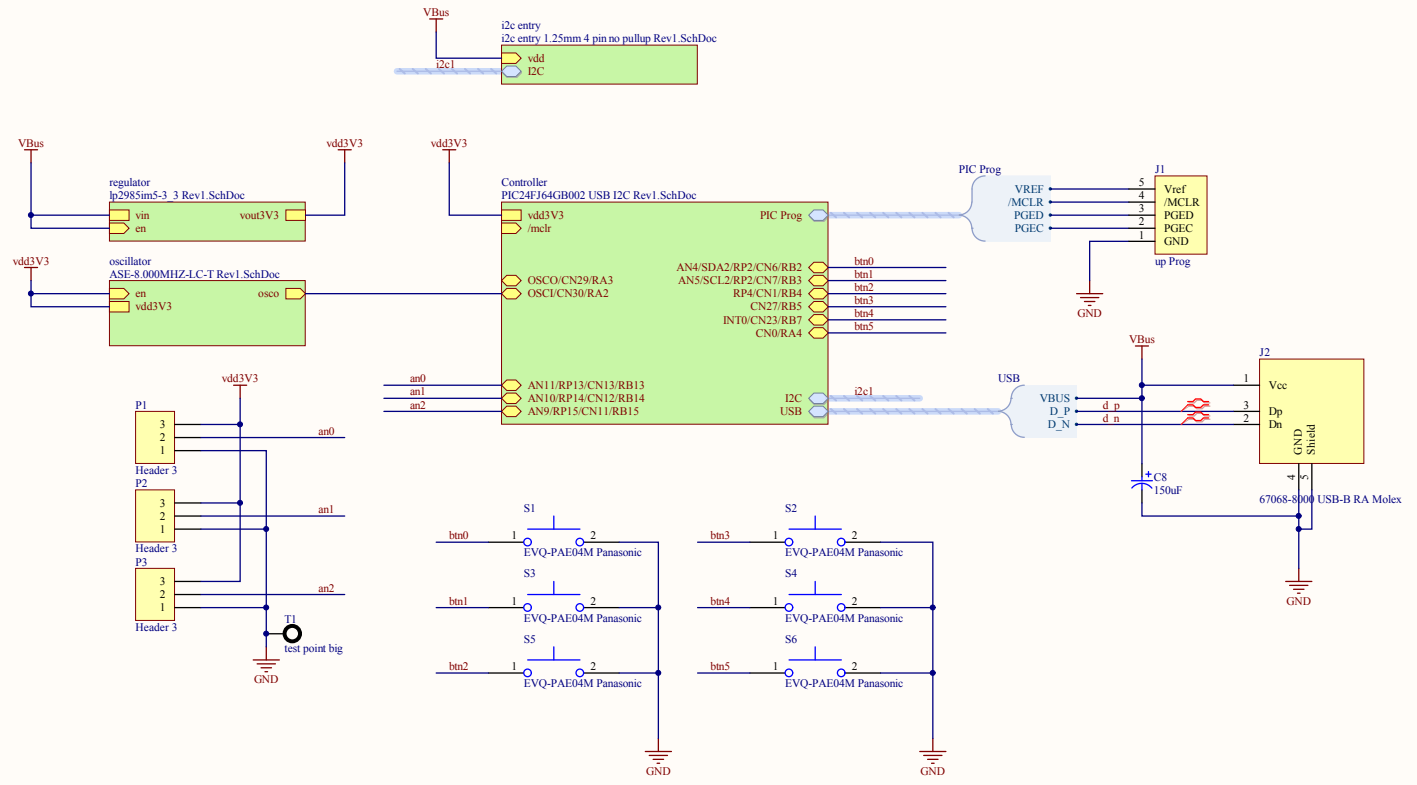
C

C

D

D





1 2 3 4 5 6

A

A

B

B

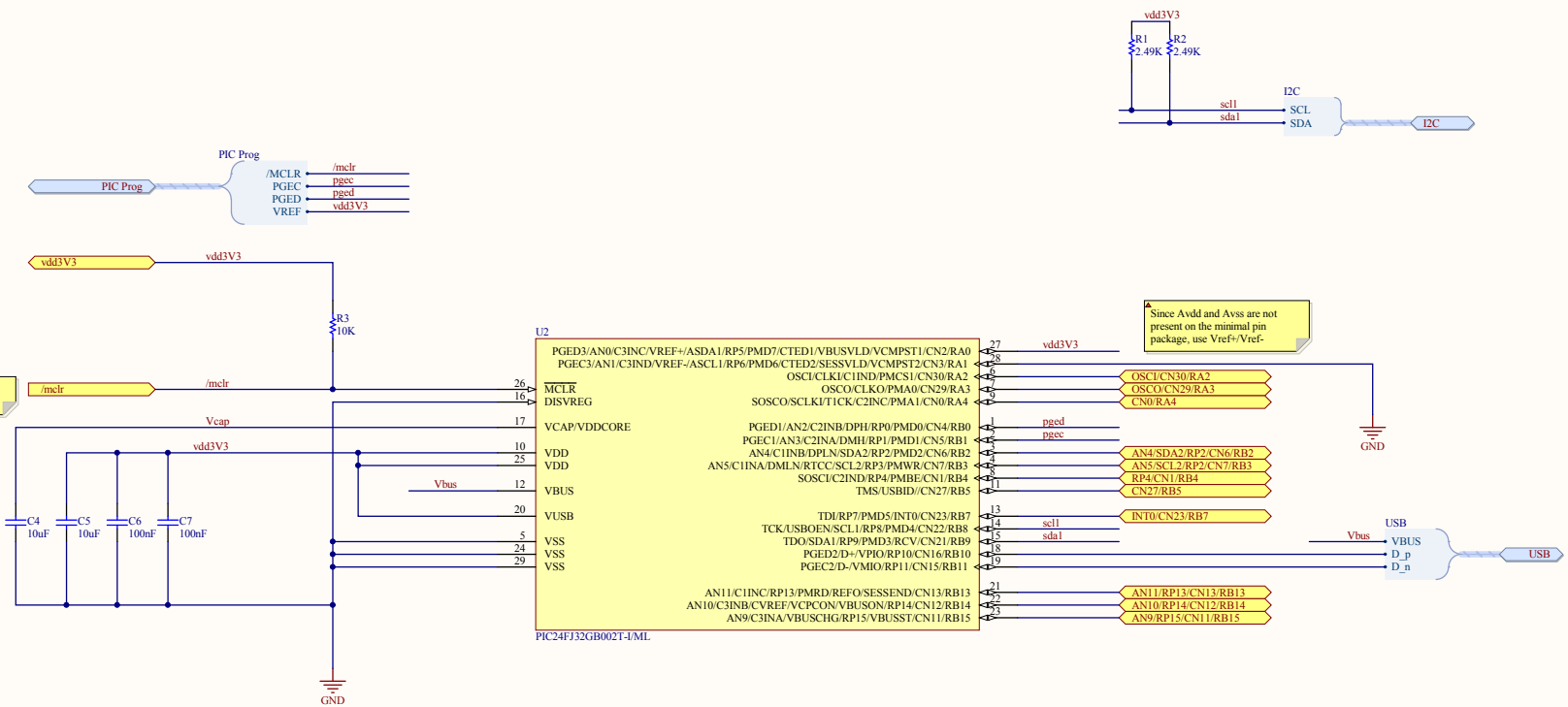
C

C

D

D

1 2 3 4 5 6



BOM Parts List

CC ASSY: <Parameter AssemblyName not found>
 CC ASSY PN: <Parameter AssemblyPin not found>
 PCB: <Parameter PcbName not found>
 PCB PN: <Parameter PcbPin not found>

Source Data From: pic24 usb hid test.PrjPCB
 Project: pic24 usb hid test.PrjPCB
 Revision: R0
 CR: <Parameter CR not found>

Author: JL

Report Date: 8/27/2011 3:29:03 PM
 Print Date: 27-Aug-11 3:29:07 PM

Designator	Quantity	Name Error	Part Type	Description	Manufacturer	Mfr PN	Value	Rated Voltage	Tolerance	Low Equivalent	Package	Name Error: DNI
C1	1		Capacitor Ceramic	Capacitor 0603 16V 20% X5R SMD	TDK	C1608X5R1C225M	2.2uF	16V	20%	Yes	0603	
C2	1		Capacitor Ceramic	Capacitor 0603 50V 10% X7R SMD	AVX	06035C103KA T2A	10nF	50V	10%	Yes	0603	
C3	1		Capacitor Ceramic	Capacitor 0603 6.3V 10% X5R SMD	Kemet	C0603C475K9PACTU	4.7uF	6.3V	10%	Yes	0603	
C4, C5	2		Capacitor Ceramic	Capacitor 0805 16V 10% X7R SMD	EMK	EMK212BJ106KG-T	10uF	16V	10%	Yes	0805	
C6, C7, C9	3		Capacitor Ceramic	Capacitor 0603 25V 10% X7R SMD	Murata Electronics	GRM188R71E104KA01D	100nF	25V	10%	Yes	0603	
C8	1		Capacitor Tantalum	Capacitor Tant C-Case 10V 20%	Kemet	T520C157M010ATE055	150uF	10V	20%	Yes	C-Case	
J1	1		Connector	1.25mm 5 pin header, vertical Molex	Molex	53398-0571				No		
J2	1		Connector	USB-B Connector, Molex, RA	Molex	67068-8000				No		
J3	1		Connector	1.25mm 4 pin header, right angle Molex	Molex	53261-0471				No		
P1, P2, P3	3		Connector	100 mil header, 3 pin vertical	Molex	901200763				Yes		
R1, R2	2		Resistor SMT	Resistor 0603 0.1W 1% SMT	Yageo	RC0603FR-072K49L	2.49K		1%	Yes	0603	
R3	1		Resistor SMT	Resistor 0603 0.1W 1% SMT	Yageo	RC0603FR-0710KL	10K		1%	Yes	0603	
S1, S2, S3, S4, S5, S6	6		Switch	touch switch 160gf, ThruHole, Panasonic	Panasonic	EVQ-PAED4M				No		
U1	1		Power	Micropower 150 mA Low -Noise Ultra Low -Dropout Regulator in SOT-23 and micro SMD Packages	National Semiconductor	LP2985IM5-3.3				No	SOT23-5	
U2	1		Microcontroller	16-Bit Flash Microcontroller with USB On-The-Go and nanoWatt XLP, 32KB Flash, 8KB SRAM, 28-Pin QFN, Industrial Temperature, Tape and Reel	Microchip	PIC24FJ32GB002T-IML				No	QFN28	
Y1	1		Oscillator	Oscillator 3.2x2.5mm 8 Mhz 3.3V	Abracorn Corporation	ASE-8.000MHZ-LC-T				No	SMD 3.2x2.5mm	